

UHF RFID Antenna Ant-RC09-255/255

Application:

- ★ Logistics&Warehouse,production line and shelves management
- ★ Access control, parking lot management
- ★ Retail & Garment industry
- ★ Anti-counterfeit management
- ★ Material management, Medical equipment, Electricity, Military equipment, Financial, Ticket, Animal husbandry etc.

Features:

- ★ Antenna and reader is separated
- ★ Light weight and small size,low profile,install and use conveniently
- ★ Fast read & write, high performance, convenient, Long read & write distance
- ★ IP67

Order Description:

- ★865-868MHz: Ant-RC09-255/255-EU
- ★902-928MHz: Ant-RC09-255/255-CA

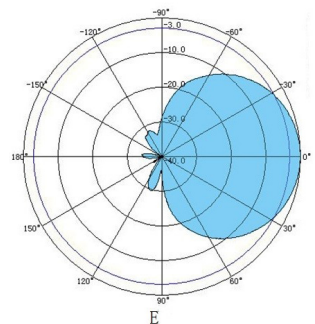
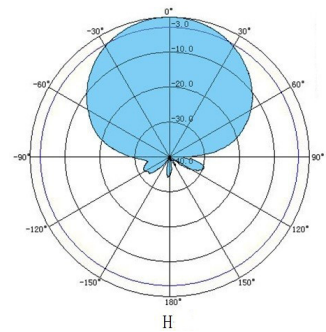
Available Accessories:

Antenna cables(optional,customizable):

- Ant-CA-SMA.M/N.M-LMR2-1M
- Ant-CA-SMA.M/N.M-LMR2-5M
- Ant-CA-SMA.M/N.M-LMR2-15M
- Ant-CA-SMA.M/N.M-LMR4-5M
- Ant-CA-SMA.M/N.M-LMR4-15M

Mounting sets(optional):

- Pole mounting bracket: Ant-MOT-RC09-255/255-P
- Wall mounting bracket: Ant-MOT-RC09-255/255-W



Specification

Electrical

Frequency Range	902-928MHz / 865-868MHz
Polarization Type	RHCP
Gain	9dBi
3dB Beam-Width. H-Plan	60°
3dB Beam-Width. E-Plan	55°
VSWR	≤1.3
Front to back Ratio	≥17dB
Input Impedance	50Ω
Max Input Power	20W
Lightning Protection	DC Grounded

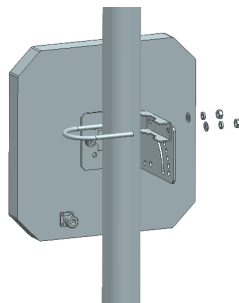
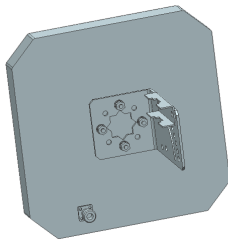
Mechanical

Connector Type	N-Type Female
Dimensions H*W*D (mm)	255*255*30(mm)
Weight	1.27kg(with mounting bracket)
Radome Material	ABS
Radome color	Off-white
Radiant board material	aluminum
Operating Temperature	-40°C/+60°C
Sealing	IP67
Installation mode	Pole mounted or Wall mounted
Support Pole Diameter	φ30-φ50(mm)
Rated Wind Velocity	60m/s

Installation diagram:

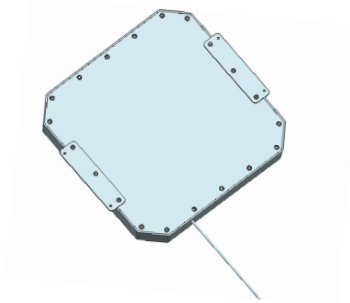
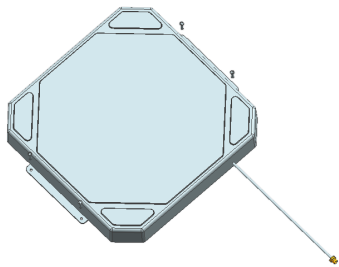
Pole mounted:

Fix the bracket on the antenna with M5 nut, flat washer and spring washer. Then fix the antenna on the support rod with the U-bolt, flat washer, spring washer and fixings.



Wall mounted:

Fix the antenna on the wall or any plane with M3*16 round head self tapping screw.



Notice: Product specifications are subject to change without prior notice. / Model: Ant-RC09-255/255 / Update Date: 2020-07-23

CHAINWAY®

Shenzhen Chainway Information Technology Co., Ltd

Address: 9F, Building2, Phase 2, Gaoxinqi Industrial Park, Liuxian 1st Rd., Bao'an District, Shenzhen, Guangdong 518102, China

Tel: 0086-755-23223316

Fax: 0086-755-23223310

Email: sales@chainway.cn

Web: <http://www.chainway.net>